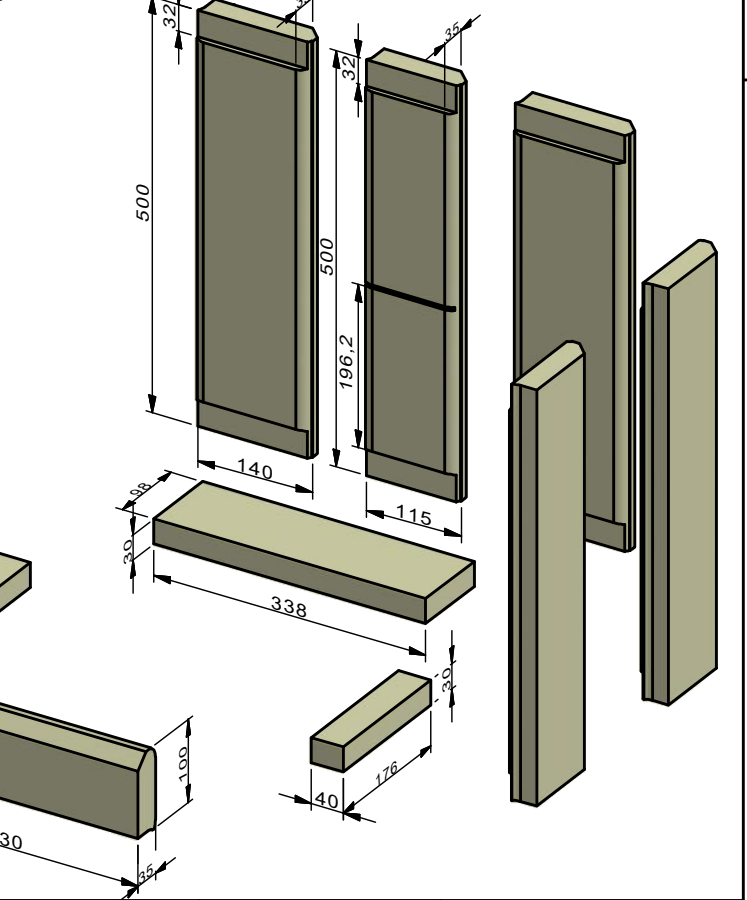
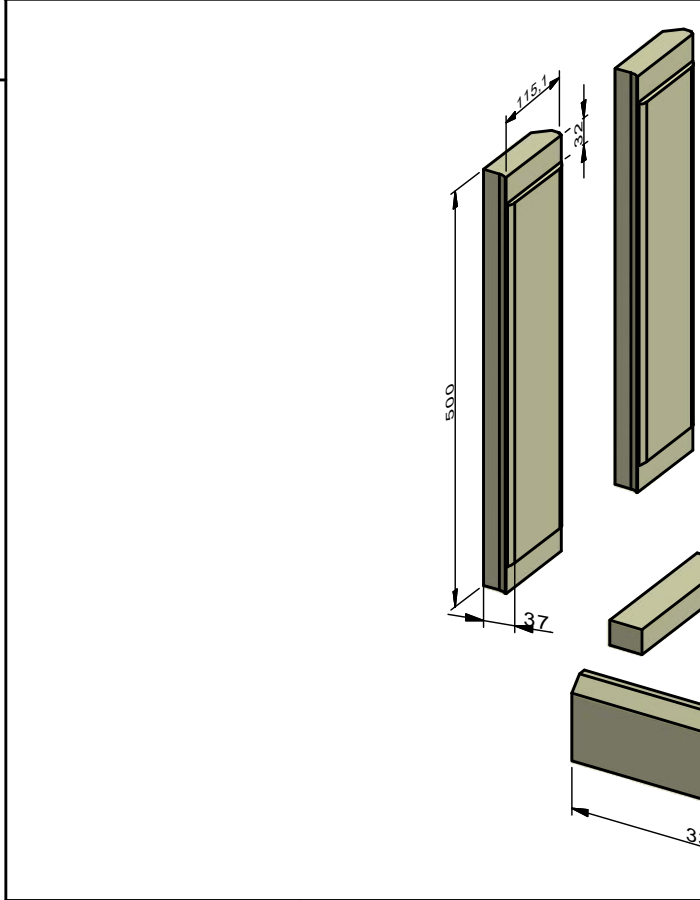
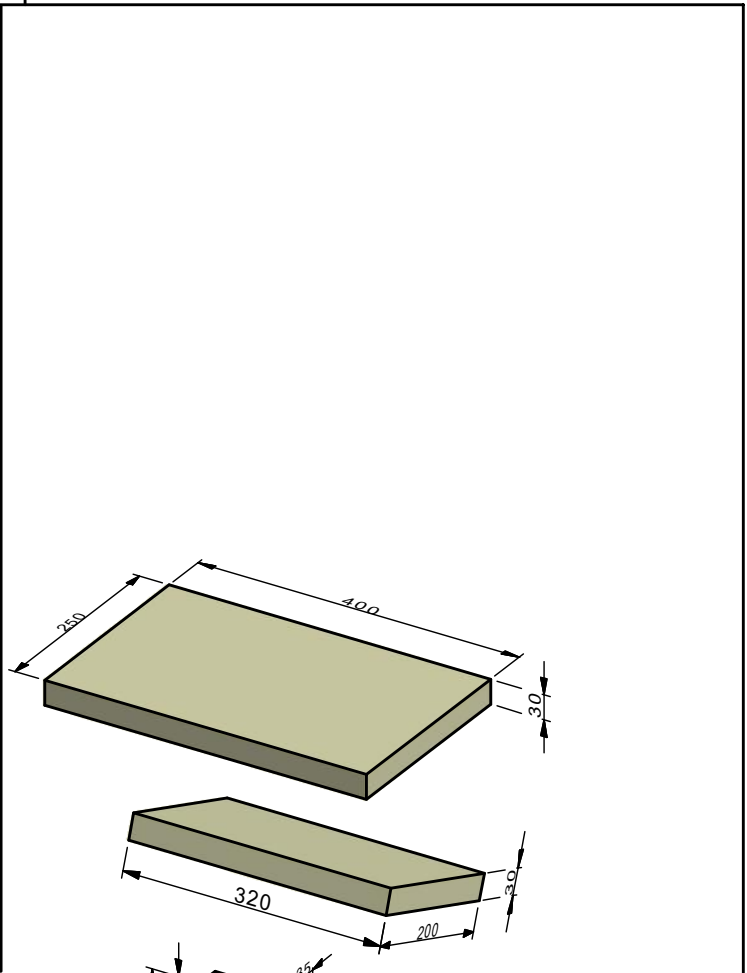
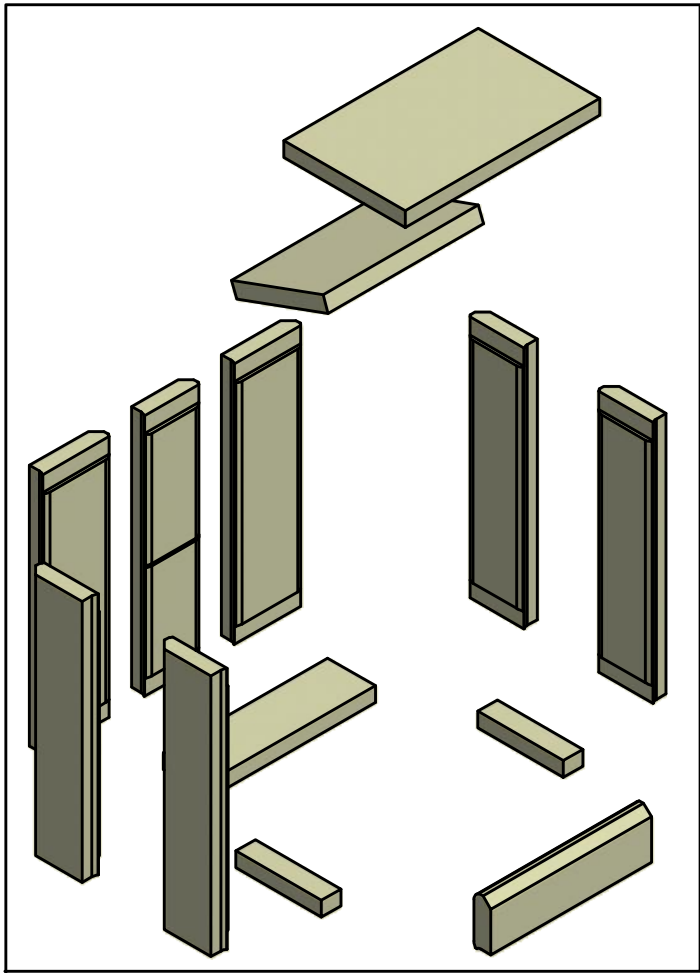



STYKLISTE

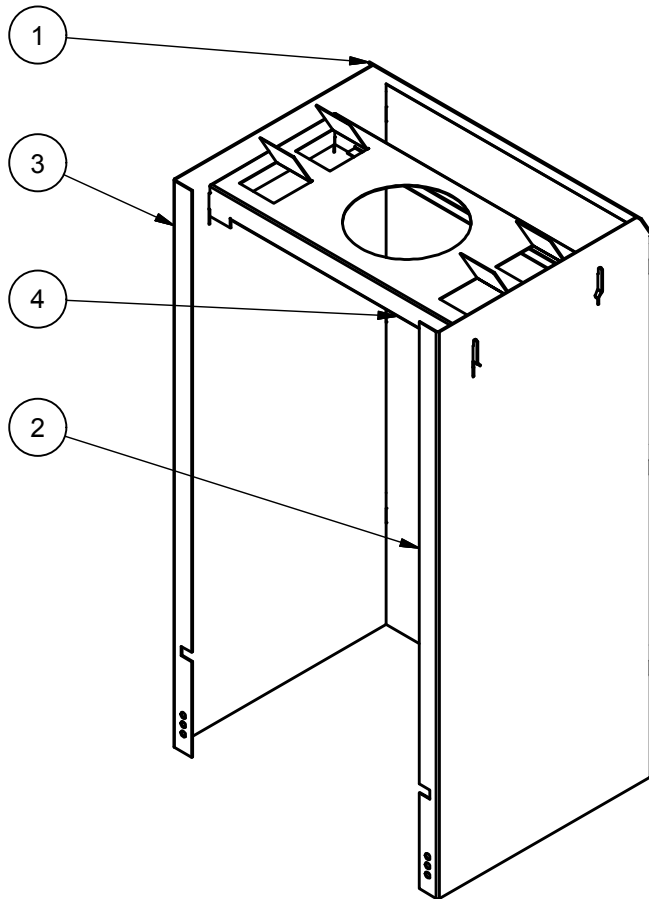
POS	TEGN	BESKRIVELSE	M3 NR.	DATO	STK
1	25001001	Konvektionsrist (753 cm ²)		08-08-2017	1
2	25001002	Bagstykke til konvektionsrist		08-08-2017	1
3	96900900	Ferrit magnet	10045631	11-07-2012	6

Stove: Scan 5001	Name: Komplet konvektions rist	Date: 18-08-2017	Drawing number: 25001901
Material:		Constructed /Changed by: Jwa	
Articlenumber:	Weight: N/A	Area: N/A	SCAN A/S DK-5492 Vissenbjerg©
Path: C:\Working Folder\Designs\Scan 5001\25001901.iam			





Stove: Scan 5001	Name: Brandkammersten, Scan 5001	Date: 08-02-2018	Drawing number: 95001110
Material:		Constructed/Changed by: sr	
Articlenumber: 50052733	Weight: N/A	Area: N/A	SCAN A/S DK-5492 Vissenbjerg© 
Path: C:\Working Folder\Designs\Scan 5001\95001110.idw			



STYKLISTE

POS	TEGN	BESKRIVELSE	M3 NR.	DATO	STK
1	15001001	Heat shield, rear		10-05-2017	1
2	15001002	Heat shield, right		01-06-2017	1
3	15001003	Heat shield, left		01-06-2017	1
4	15001004	Heat shield, top		30-05-2017	1

Stove: Scan 5001	Name: Heat shield, assembly	Date: 11-05-2017	Drawing number: 15001921
Material:		Constructed /Changed by: sr	
Articlenumber:	Weight: N/A	Area: N/A	SCAN A/S DK-5492 Vissenbjerg©
Path: C:\Working Folder\Designs\Scan 5001\15001921.iam			